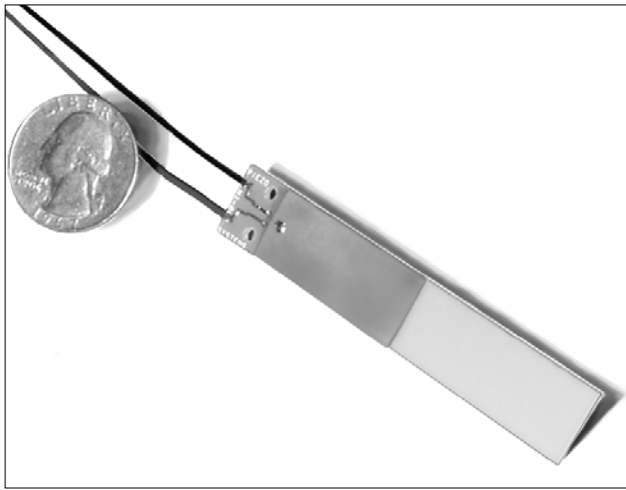


PIEZO FAN BLADE 115 V / 60 Hz VERSION



DESCRIPTION OF PIEZO FAN

Piezo fans are solid state devices without wearing parts. The oscillating mylar blade is driven at resonance by a piezo bending element. In free air, the high amplitude resonant vibration of the plastic blade causes the formation of a high velocity unidirectional flow stream. Maximum airflow occurs along the axes of the fan's centerline. Air intake is above and below the swept out volume of the blade. Its simple design lends itself to low cost in high volume production.

Piezo fans offer advantages over conventional fan technology. These include: instant starting with no power surge (especially desirable for spot cooling); ultralight weight; thin profile; extremely low magnetic permeability (suitable for use in high magnetic field environments such as NMR machinery and particle accelerators); and almost no heat dissipation (ideal for sealed enclosures). The 115VAC / 60 Hz piezo fan can be driven directly off the power bus.

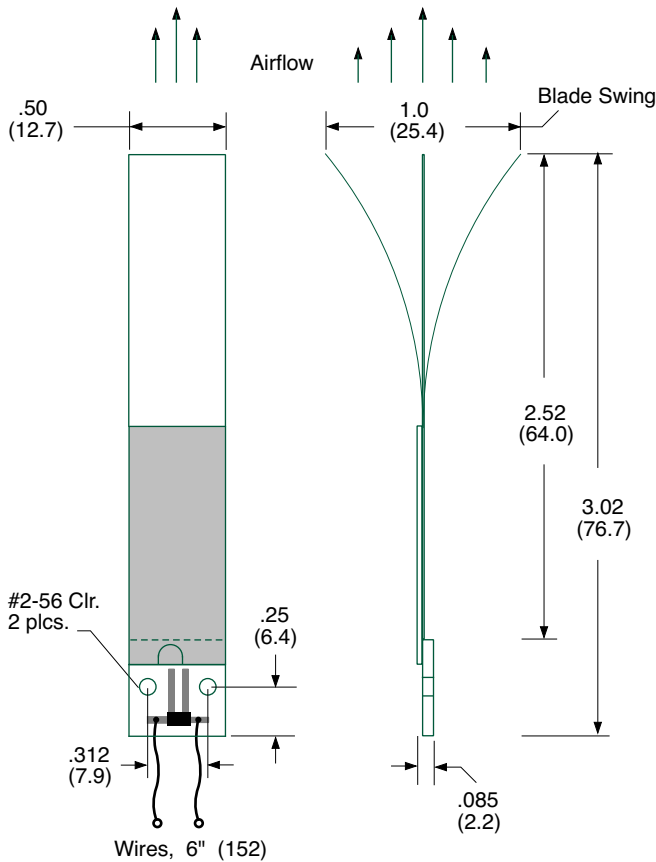
Custom Piezo Fan Configurations: Other piezo fans are available in custom configurations, including: different flow rates and sizes, high temperature operation (up to 150°C), low temperature operation, low vacuum operation, totally non-magnetic versions, DC operation, flow-through, and water-proof configurations.

FAN SPECIFICATIONS

Input Voltage:	115 VAC, 60 Hz
Capacitance:	15 nF
Power Consumption:	30 mW
Volume Flow Rate:	2 CFM, (0.9 l/s)
Peak Air Velocity:	400 FPM, (2.0 m/s)
Weight:	2.8 grams
Mounting:	#2-56 clr. holes, 2 places
Temperature Range:	-20° C to 70° C
EMI / RFI:	None

ROHS

Compliant / Piezo exempted



ORDERING INFORMATION

Piezo Fan Blade, 115V / 60 Hz

PART NO.

RFNI-005

1 pc.

\$149

5 pc.

\$89

25 pc.

\$59

100 pc.

\$49