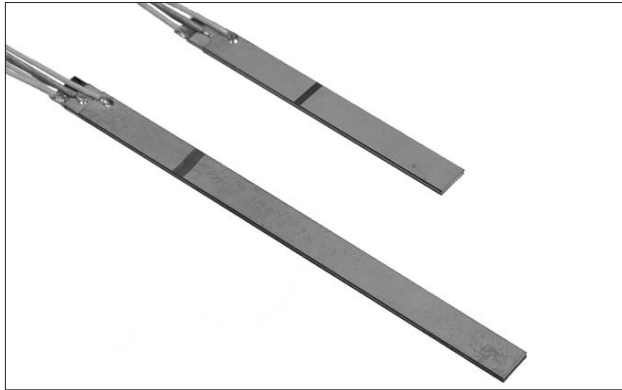


### STANDARD 4-LAYER ELEMENTS USED AS BENDING MOTORS, ± 262 μm VERSION & ± 1,050 μm VERSION

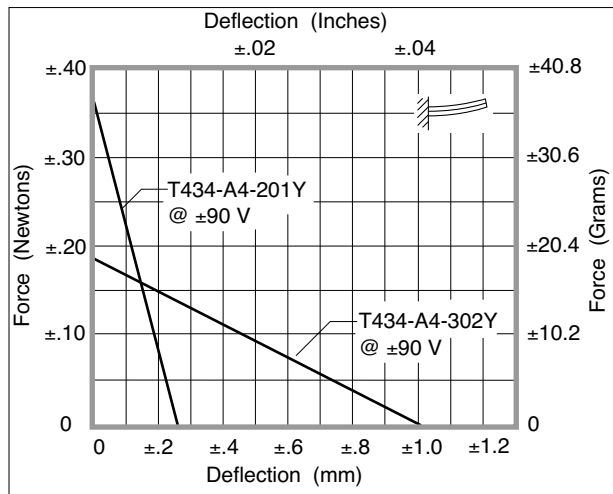


#### DESCRIPTION

The 4-Layer Bending Elements deliver a relatively high motion and force in a small package. Their low magnetic permeability allows them to be used in many applications requiring non-magnetic actuators.

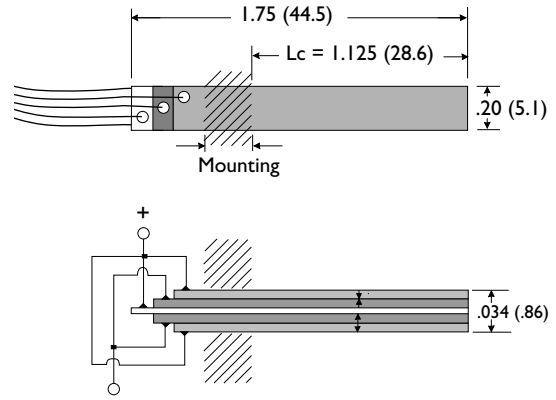
“Off-the-shelf” delivery. Custom configurations and sizes upon request.

**ROHS:** Compliant.

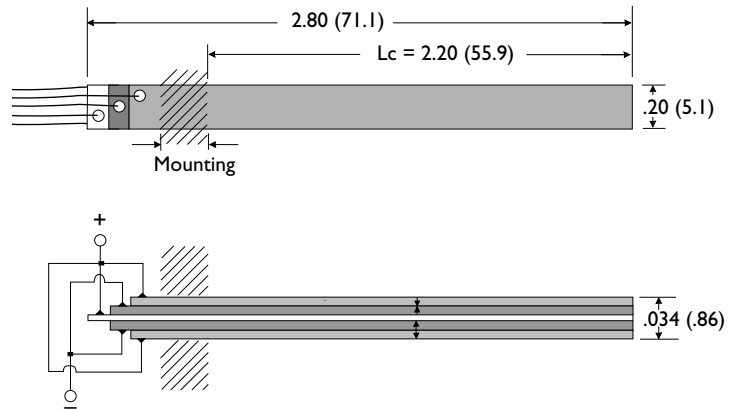


#### DIMENSIONS

##### T434-A4-201 Dimensions



##### T434-A4-302 Dimensions



#### PERFORMANCE: 4-LAYER BENDER (Cantilever length, Lc, shown above)

VALUES TO BE USED AS GUIDELINES

PART NUMBER	PIEZO MATERIAL	WEIGHT	STIFFNESS	CAPACITANCE	MAXIMUM VOLTAGE	RESONANT FREQUENCY	FREE DEFLECTION	BLOCKED FORCE
		grams	N/m	nF	±Vp	Hz	±μm	±N
T434-A4-201	5A4E	1.8	1.4×10 <sup>3</sup>	77	±90	440	± 262	± .36
T434-A4-302	5A4E	2.6	1.8×10 <sup>2</sup>	110	±90	112	± 1,000	± .18

#### ORDERING INFORMATION

	PART NO.	1 pc.	5 pc.	25 pc.	100 pc.
4-Layer Bending Element, ± 262 μm	T434-A4-201	\$199	\$149	\$109	\$89
4-Layer Bending Element, ± 1,050 μm	T434-A4-302	\$249	\$179	\$129	\$99